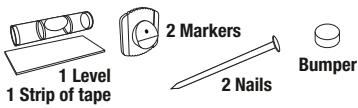


# "No-Wire" Hanging System INSTALLATION INSTRUCTIONS

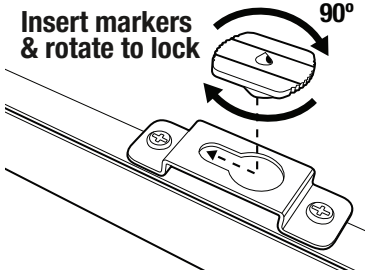


## PARTS LIST



**1**

Insert markers  
& rotate to lock



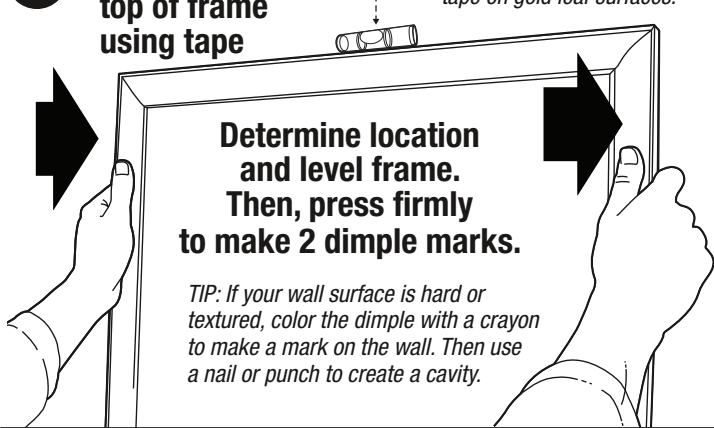
Insert both plastic  
markers into  
the brackets as  
shown here.

Attach the bumper  
to the bottom of  
frame in the middle.

**2**

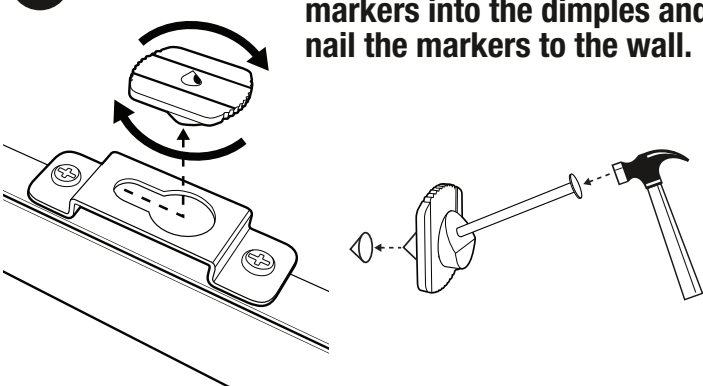
Attach level to  
top of frame  
using tape

*DO NOT attempt to use foam  
tape on gold leaf surfaces.*



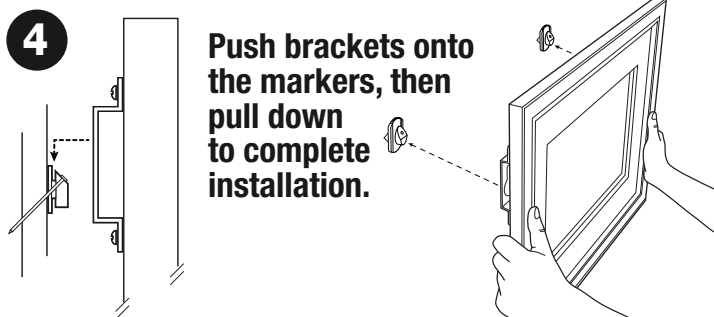
**3**

Unlock markers, place the  
markers into the dimples and  
nail the markers to the wall.



**4**

Push brackets onto  
the markers, then  
pull down  
to complete  
installation.



Installation video available at:

[www.picturehangingfordummies.com/instructions-and-product-video](http://www.picturehangingfordummies.com/instructions-and-product-video)

©2012 The Fletcher-Terry Company, LLC. All rights reserved.

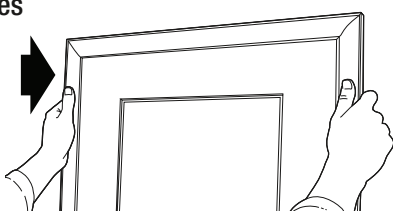
U.S. Patent Nos. 7,497,028 and 7,836,605. Made in China.

[www.picturehangingfordummies.com](http://www.picturehangingfordummies.com)

REF: CP

## THE 2-STEP MARKING METHOD

Recommended for all frames  
wider than 20 inches

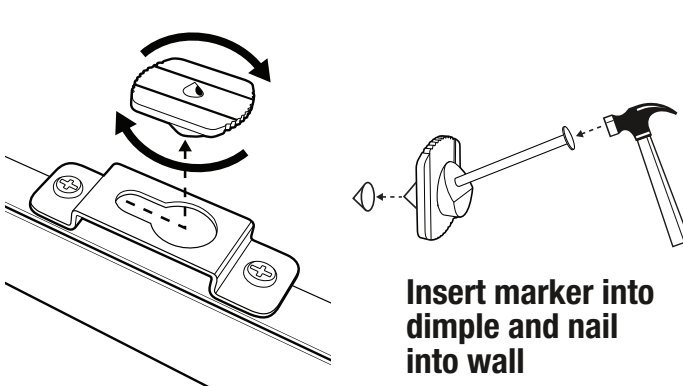


**1**

- Attach brackets to both sides of frame
- Insert a marker into the left bracket
- Determine desired mounting location
- Press frame firmly into wall surface to create left dimple mark

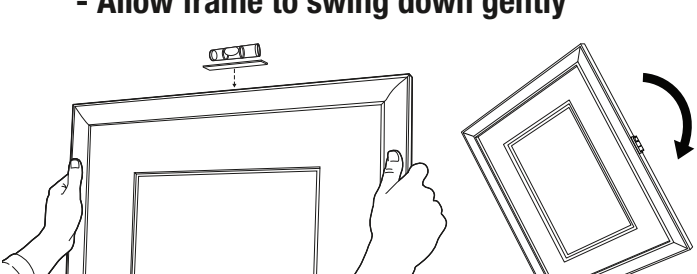
**2**

Rotate marker to unlock & remove



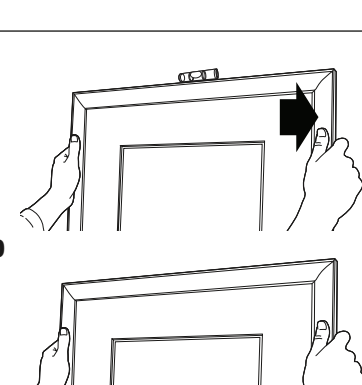
**3**

- Insert a marker into the right bracket
- Affix foam tape & attach level to frame
- Seat left bracket onto the marker on the wall
- Allow frame to swing down gently



**4**

- Raise frame until bubble  
reads "level"
- Press right side of frame  
firmly into wall surface to  
make right dimple mark
- Allow frame to swing  
down freely
- Repeat Step #2 to install  
the right marker



Seat right bracket onto right marker and  
remove level to complete installation